

## Section 6

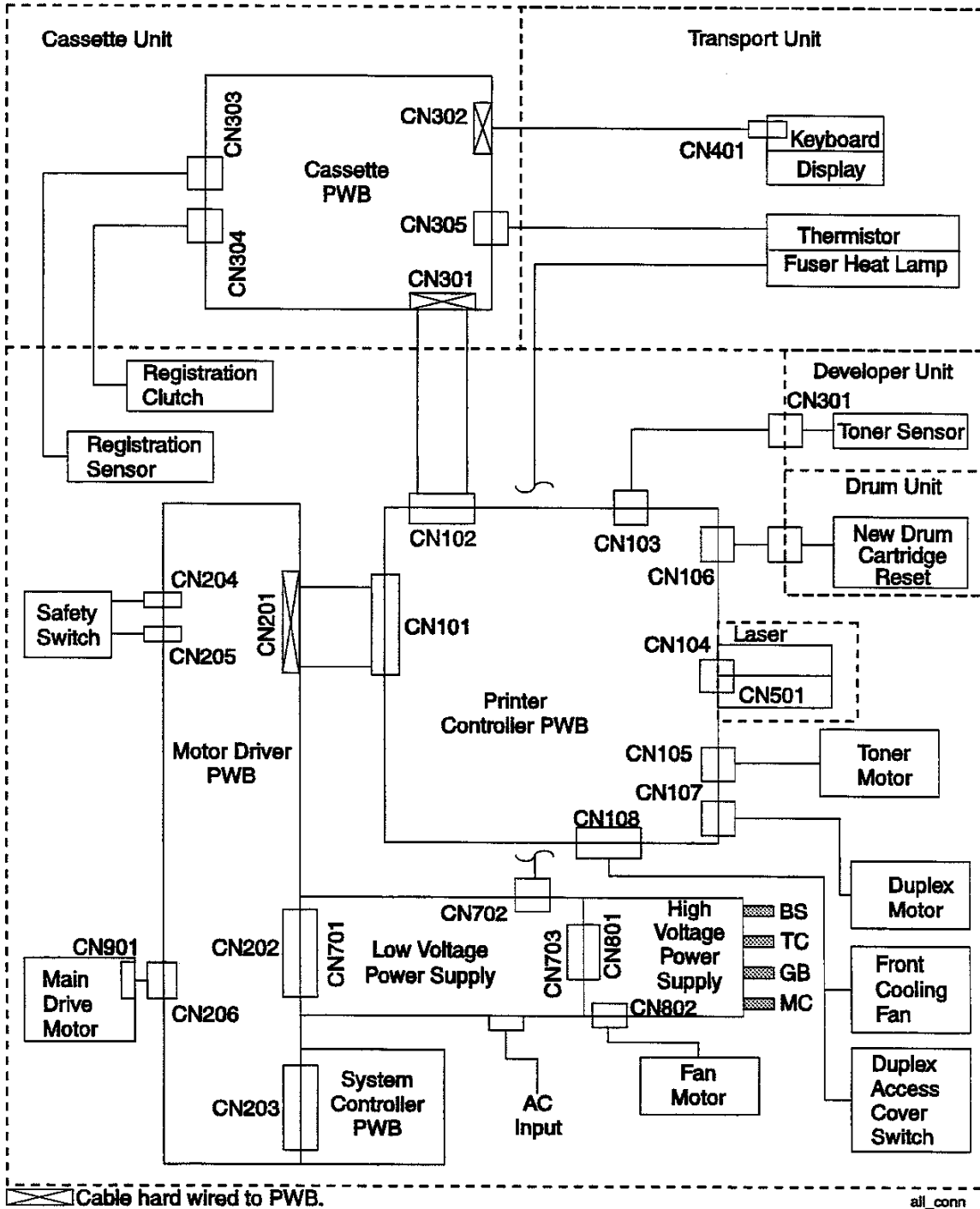
# Wiring Data

<b>6.1 Connection and Wiring Diagrams</b> .....	<b>6-3</b>
6.1.1 Master Connection and Wiring Diagram.....	6-3
6.1.2 Printer Controller PWB Wiring Diagram.....	6-4
Table 1. CN101.....	6-5
Table 2. CN102.....	6-5
Table 3. CN103.....	6-5
Table 4. CN104.....	6-6
Table 5. CN105.....	6-6
Table 6. CN106.....	6-6
Table 7. CN107.....	6-7
Table 8. CN108.....	6-7
6.1.3 Motor Driver PWB Wiring Diagram.....	6-8
Table 9. CN201.....	6-9
Table 10. CN202.....	6-9
Table 11. CN203.....	6-10
Table 12. CN204.....	6-10
Table 13. CN205.....	6-10
Table 14. CN206.....	6-10

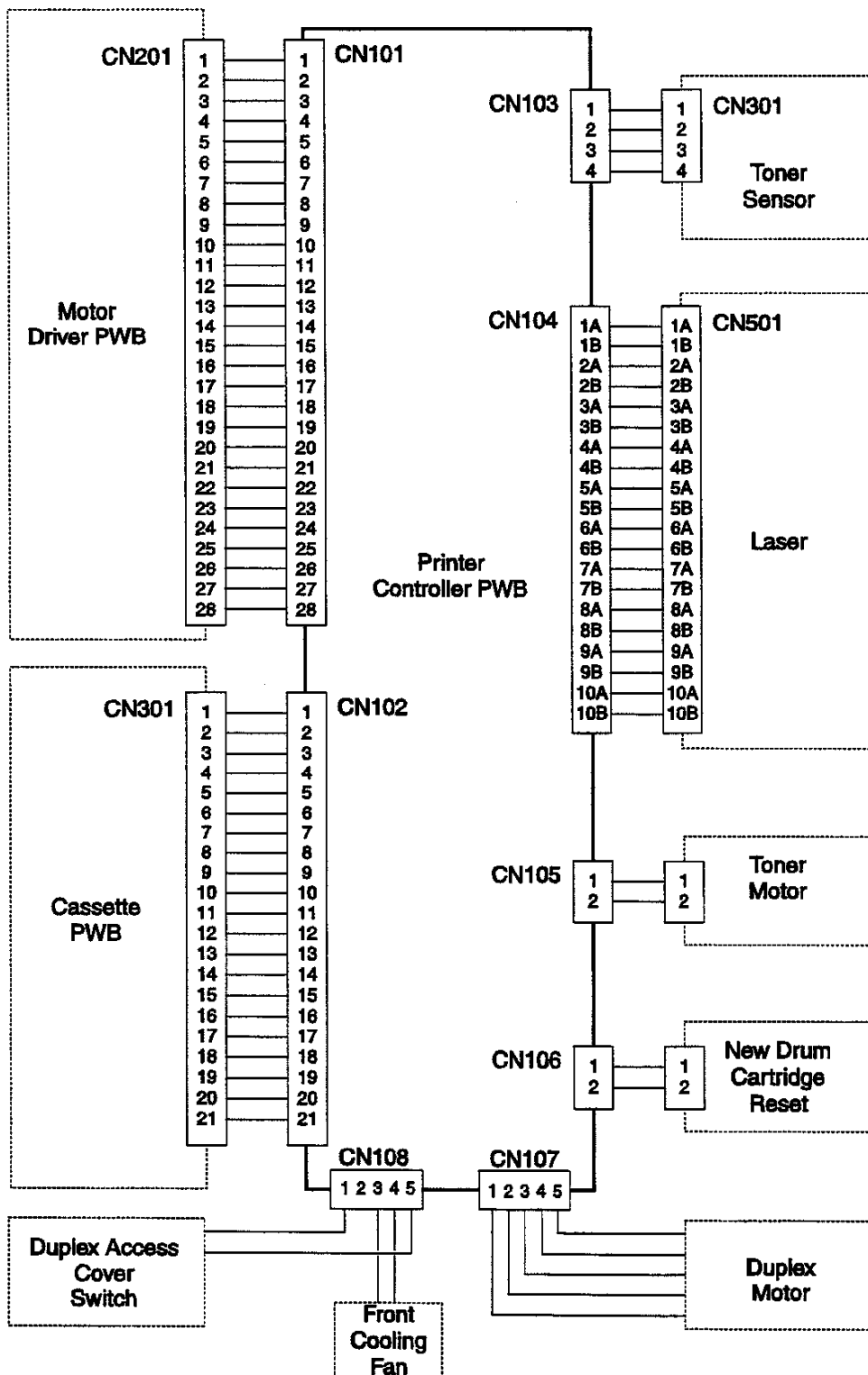
<b>6.1.4 Cassette PWB Wiring Diagram</b> .....	<b>6-11</b>
Table 15. CN301 .....	6-11
Table 16. CN302 .....	6-12
Table 17. CN303 .....	6-12
Table 18. CN304 .....	6-12
Table 19. CN305 .....	6-12
<b>6.1.5 Keyboard Connector</b> .....	<b>6-13</b>
Table 20. CN401 .....	6-13
<b>6.1.6 Laser</b> .....	<b>6-13</b>
Table 21. CN501 .....	6-13
<b>6.1.7 Low Voltage Power Supply</b> .....	<b>6-14</b>
Table 22. CN701 .....	6-15
Table 23. CN702 .....	6-15
Table 24. CN703 .....	6-15
<b>6.1.8 High Voltage Power Supply</b> .....	<b>6-16</b>
Table 25. CN801 .....	6-16
Table 26. CN802 .....	6-16
<b>6.1.9 Main Drive Motor</b> .....	<b>6-17</b>
Table 27. CN901 .....	6-17
<b>6.2 PWB Layout</b> .....	<b>6-18</b>
6.2.1 Printer Controller PWB.....	6-18
6.2.2 Motor Driver PWB.....	6-18
6.2.3 Cassette PWB.....	6-19
6.2.4 Low Voltage Power Supply .....	6-20
6.2.5 High Voltage Power Supply .....	6-21
6.2.6 System Controller PWB .....	6-21
<b>6.3 Printer Paper Path</b> .....	<b>6-22</b>

# 6.1 Connection and Wiring Diagrams

## 6.1.1 Master Connection and Wiring Diagram



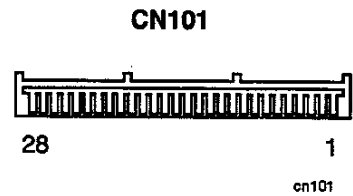
## 6.1.2 Printer Controller PWB Wiring Diagram



pec\_1con

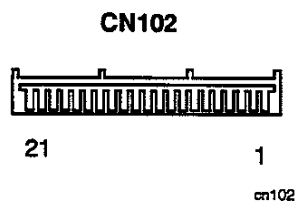
**Table 1. CN101**

PIN	NAME	PIN	NAME	PIN	NAME	PIN	NAME
1	GND	8	-READY	15	+24VH	22	-MCON
2	+5V	9	-CRDY	16	+24VH	23	-MMDB
3	GN+24	10	STS	17	GND24	24	GBH
4	+5V	11	CMD	18	GND24	25	MMDB
5	-DATA	12	-PRIM	19	-HLON	26	-TCON
6	-HSYNC	13	-PAGE	20	BiasON	27	-MMDA
7	-RES	14	-SRDY	21	-HLOFF	28	MMDA



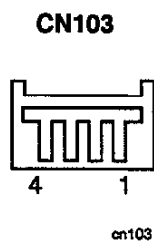
**Table 2. CN102**

PIN	NAME	PIN	NAME	PIN	NAME
1	+24VH	8	CSWD	15	LEN
2	GND	9	-SWD	16	RS
3	GND	10	RTH	17	R/W
4	+5V	11	D3	18	E
5	+5ref	12	D2	19	-PSC
6	-Pin	13	D1	20	-PUSL
7	-Pout	14	D0	21	-PUSU



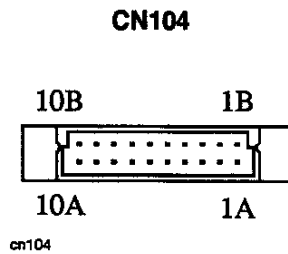
**Table 3. CN103**

PIN	NAME
1	AGND
2	TSEN
3	+5Vref
4	DVF



**Table 4. CN104**

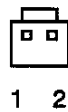
PIN	NAME	PIN	NAME
A1	Voff	B1	+5V
A2	VL1	B2	-SYNC
A3	VL2	B3	GND
A4	CO	B4	GND
A5	GND	B5	-VIDEO
A6	NC	B6	NC
A7	NC	B7	NC
A8	-PMTLK	B8	GND24
A9	-PMD	B9	+24VH
A10	NC	B10	NC



**Table 5. CN105**

PIN	NAME
1	TMA
2	TMB

**CN105**



cn105

**Table 6. CN106**

PIN	NAME
1	DRF
2	+5V

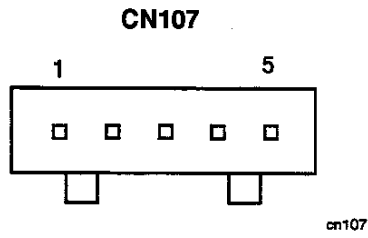
**CN106**



cn106

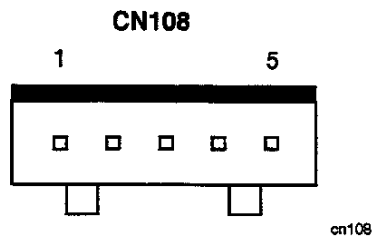
**Table 7. CN107**

PIN	NAME
1	+24 VDC
2	-DMDB
3	DMDB
4	-DMDA
5	DMDA

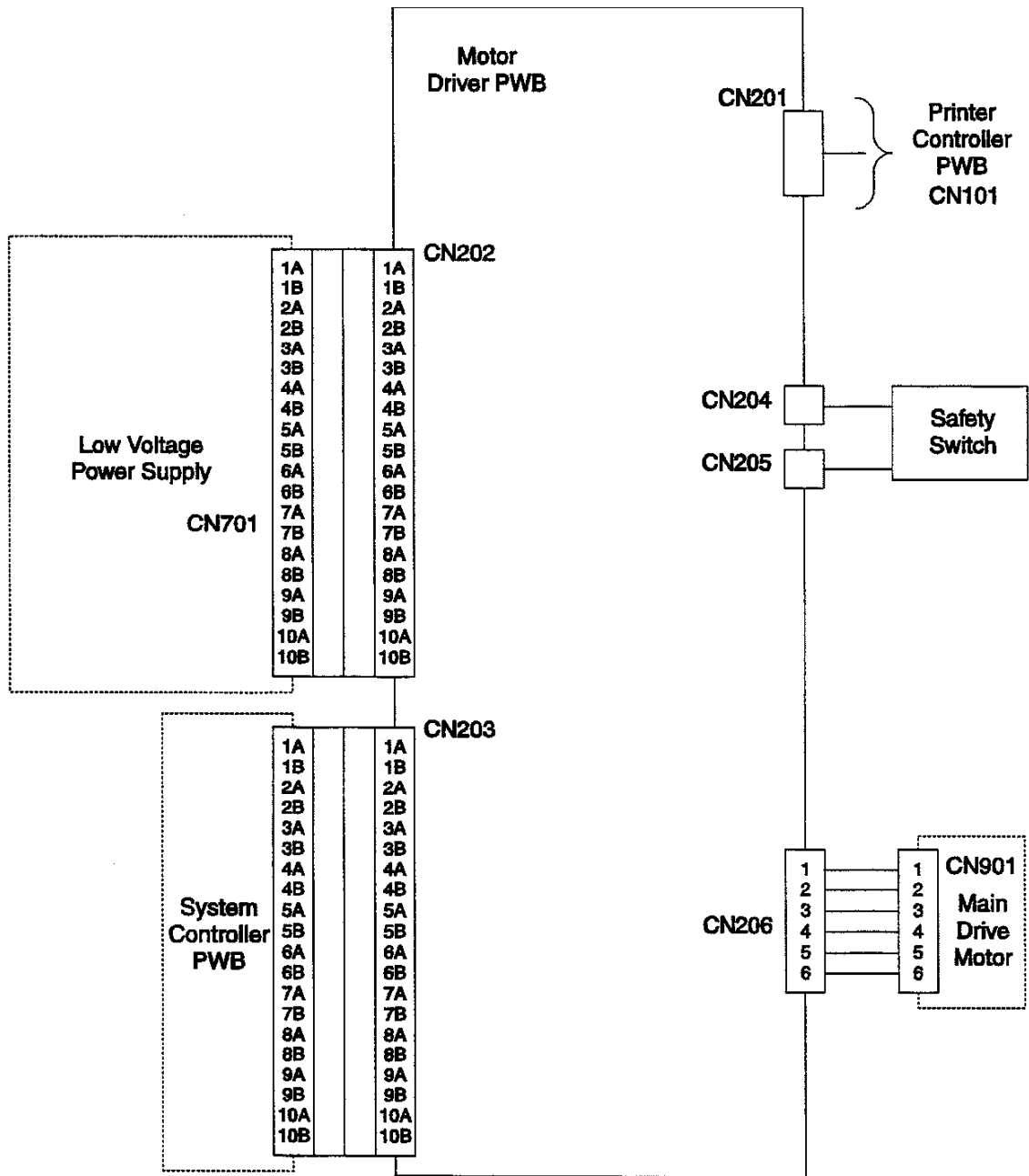


**Table 8. CN108**

PIN	NAME
1	White
2	NC
3	GND
4	Red
5	White



### 6.1.3 Motor Driver PWB Wiring Diagram

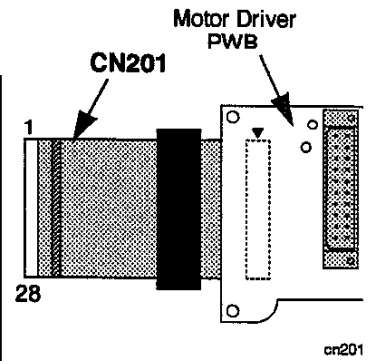


md1\_con



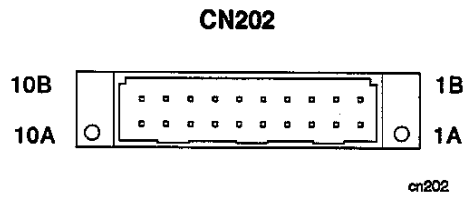
**Table 9. CN201**

PIN	NAME	PIN	NAME	PIN	NAME	PIN	NAME
1	GND	8	-READY	15	+24VH	22	-MCON
2	+5V	9	-DRDY	16	+24VH	23	-MMDB
3	GN	10	STS	17	GND24	24	GBH
4	+5V	11	CMD	18	GND24	25	MMDB
5	-DATA	12	-PRIM	19	-HLON	26	-TCON
6	-HSYNC	13	-PAGE	20	BiasON	27	-MMDA
7	-RES	14	-SRDY	21	-HLOFF	28	MMDA



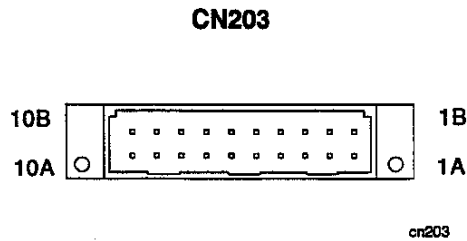
**Table 10. CN202**

PIN	NAME	PIN	NAME
1A	-MCON	1B	-HLOFF
2A	TCON	2B	-HLON
3A	BiasON	3B	+24VH
4A	GBH	4B	GND24
5A	GND24	5B	GND24
6A	GND24	6B	+24
7A	GND	7B	+24
8A	GND	8B	GND
9A	+5	9B	GND
10A	+5	10B	+5



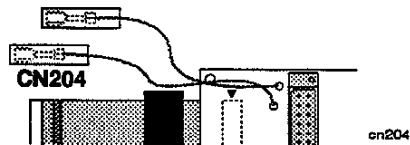
**Table 11. CN203**

PIN	NAME	PIN	NAME
1A	GND	1B	GND
2A	GND	2B	+5V
3A	GND	3B	+5V
4A	GND	4B	+5
5A	-RES	5B	+5V
6A	-READY	6B	-PRIM
7A	-SRDY	7B	-CRDY
8A	-BSYNC	8B	-PAGE
9A	STS	9B	CMD
10A	GND	10B	-DATA



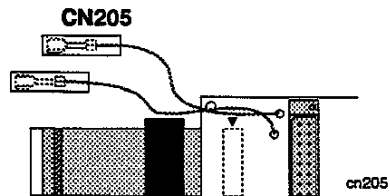
**Table 12. CN204**

PIN	NAME
1	+24VH



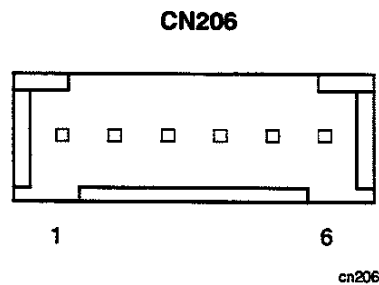
**Table 13. CN205**

PIN	NAME
1	+24V

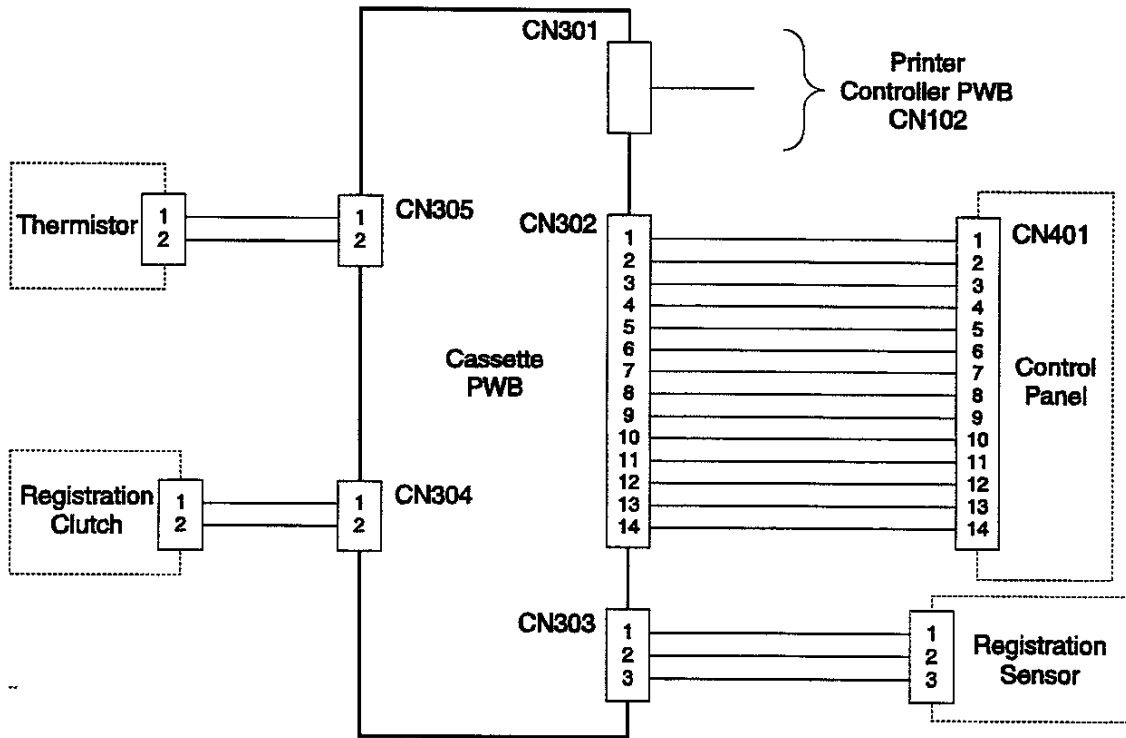


**Table 14. CN206**

PIN	NAME
1	COMA
2	-MMA
3	MMA
4	COMB
5	-MMB
6	MMB



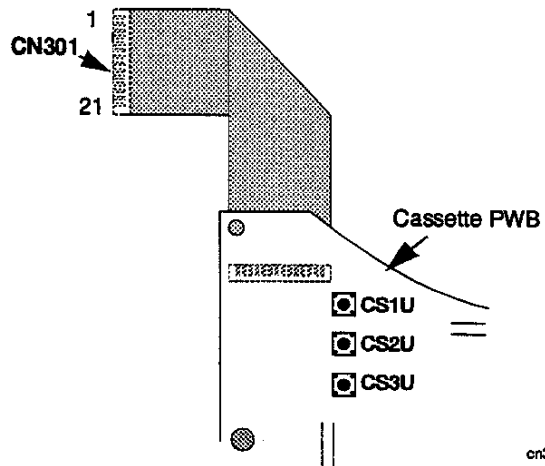
### 6.1.4 Cassette PWB Wiring Diagram



csss\_con

Table 15. CN301

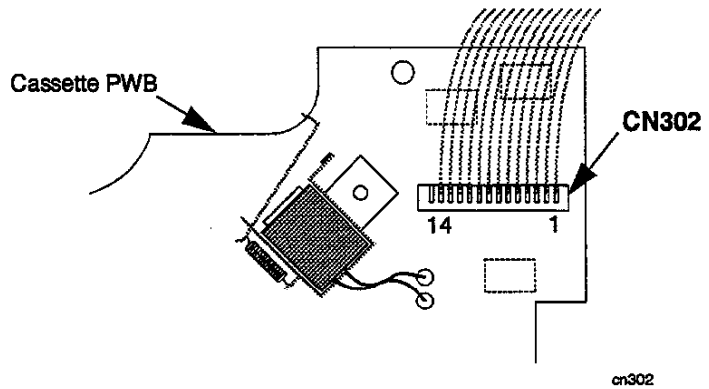
PIN	NAME	PIN	NAME	PIN	NAME
1	+24VH	8	CSWD	15	LEN
2	GND	9	-SWD	16	RS
3	GND	10	RTH	17	R/W
4	+5V	11	D3	18	E
5	+5Vref	12	D2	19	-PSC
6	-Pin	13	D1	20	-PUSL
7	-Pout	14	D0	21	-PUSU



cn301

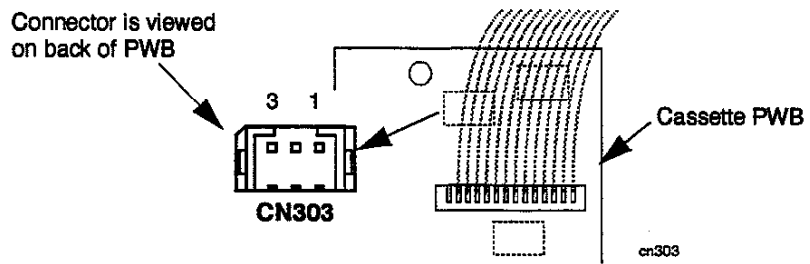
**Table 16. CN302**

PIN	NAME	PIN	NAME
1	LEN	8	D0
2	SWD	9	D1
3	E	10	D2
4	R/W	11	D3
5	+5V	12	-Pout
6	GND	13	GND
7	RS	14	FG



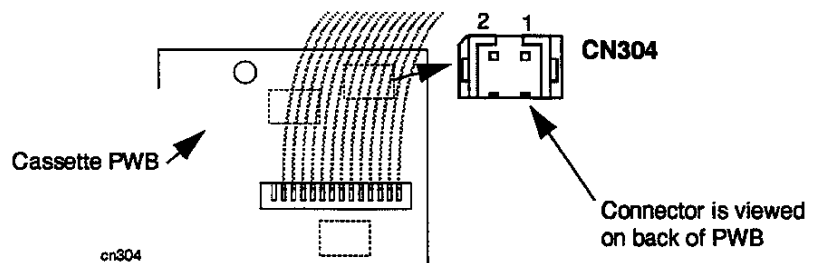
**Table 17. CN303**

PIN	NAME
1	-PIN
2	GND
3	+5VP



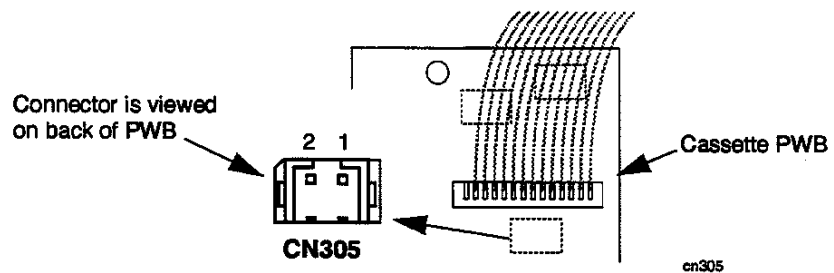
**Table 18. CN304**

PIN	NAME
1	+24VH
2	PSC



**Table 19. CN305**

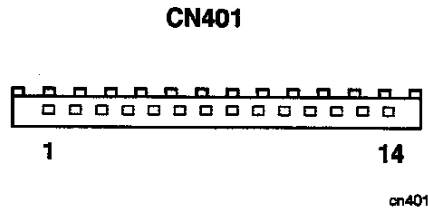
PIN	NAME
1	RTH
2	+5Vref



## 6.1.5 Keyboard Connector

Table 20. CN401

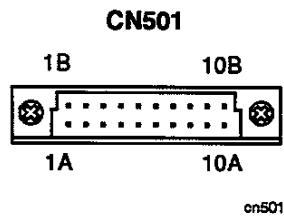
PIN	NAME	PIN	NAME
1	LEN	8	D0
2	SWD	9	D1
3	E	10	D2
4	R/W	11	D3
5	+5V	12	-Pout
6	GND	13	GND
7	RS	14	NC



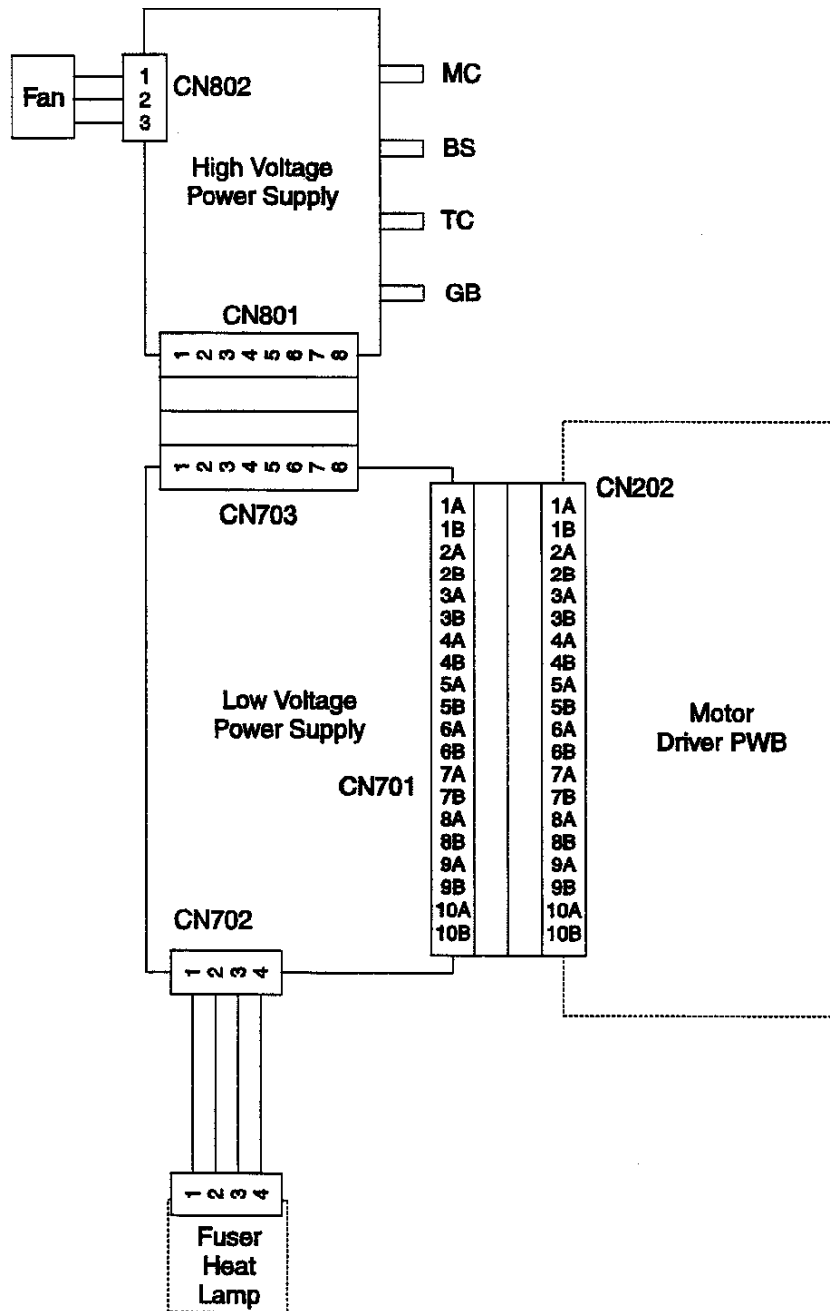
## 6.1.6 Laser

Table 21. CN501

PIN	NAME	PIN	NAME
A1	Voff	B1	+5V
A2	VL1	B2	-SYNC
A3	VL2	B3	GND
A4	CO	B4	GND
A5	GND	B5	-VIDEO
A6	NC	B6	NC
A7	NC	B7	NC
A8	-PMTLK	B8	GND24
A9	-PMD	B9	+24VH
A10	NC	B10	NC



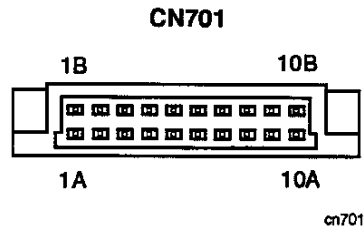
## 6.1.7 Low Voltage Power Supply



lvps\_con

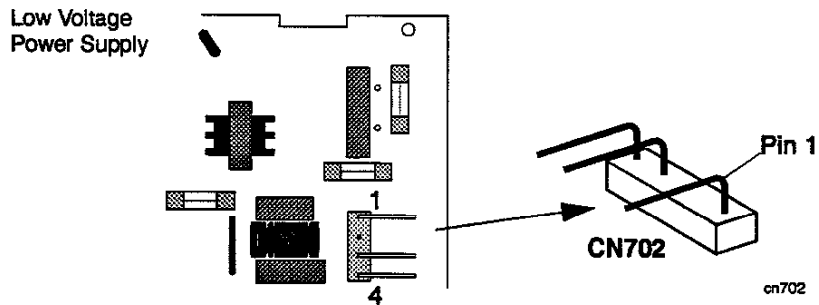
**Table 22. CN701**

PIN	NAME	PIN	NAME
1A	-MCON	1B	-HLOFF
2A	TCON	2B	-HLON
3A	BiasON	3B	+24VH
4A	GBH	4B	GND24
5A	GND24	5B	GND24
6A	GND24	6B	+24
7A	GND	7B	+24
8A	GND	8B	GND
9A	+5V	9B	GND
10A	+5V	10B	+5



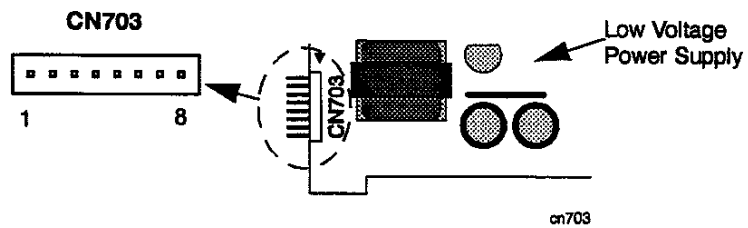
**Table 23. CN702**

PIN	NAME
1	HLN
2	NC
3	NC
4	HLL



**Table 24. CN703**

PIN	NAME
1	-MCON
2	-TCON
3	BiasON
4	GBH
5	GND24
6	GND24
7	+24VH
8	+24VH



## 6.1.8 High Voltage Power Supply

Table 25. CN801

PIN	NAME
1	-MCON
2	-TCON
3	BiasON
4	GBH
5	GND24
6	GND24
7	+24VH
8	+24VH

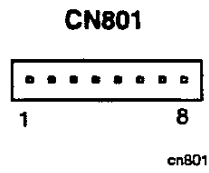
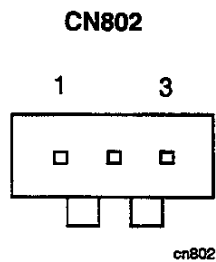


Table 26. CN802

PIN	NAME
1	+24V
2	GND
3	NC

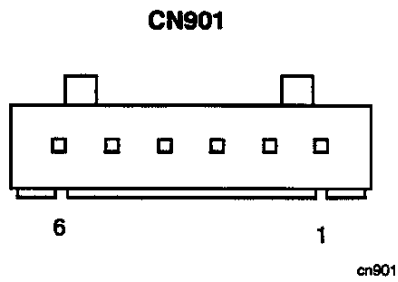




## 6.1.9 Main Drive Motor

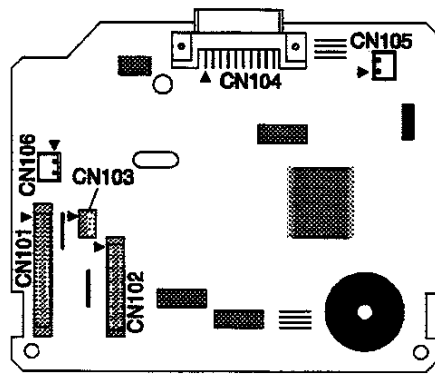
Table 27. CN901

PIN	NAME
1	MMA
2	COMA
3	-MMA
4	MMB
5	COMB
6	-MMB



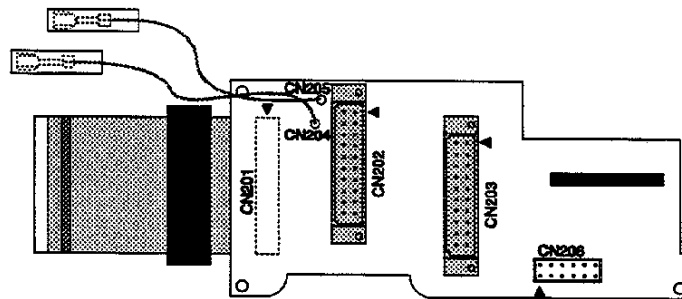
## 6.2 PWB Layout

### 6.2.1 Printer Controller PWB



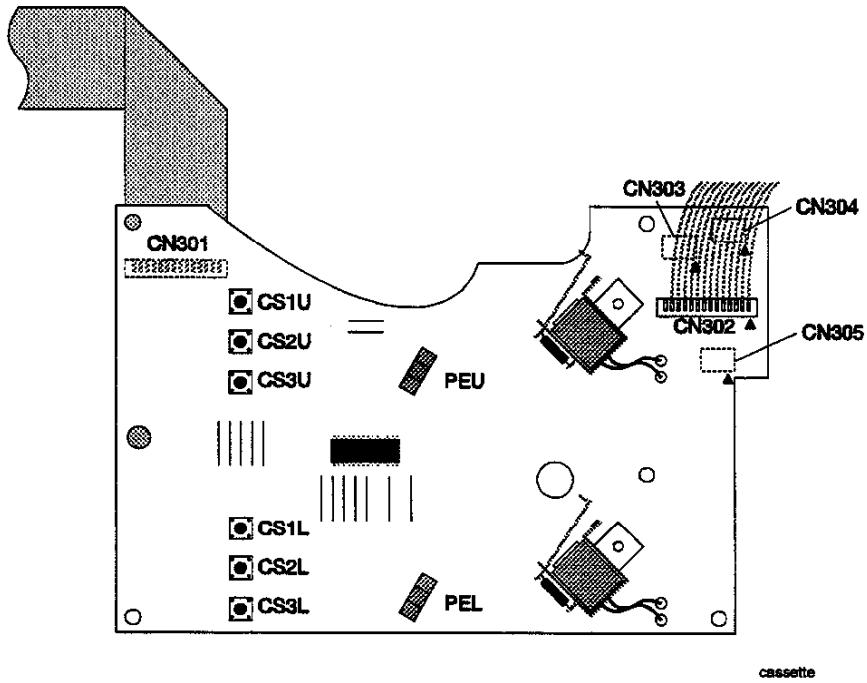
pr\_en\_cr

### 6.2.2 Motor Driver PWB

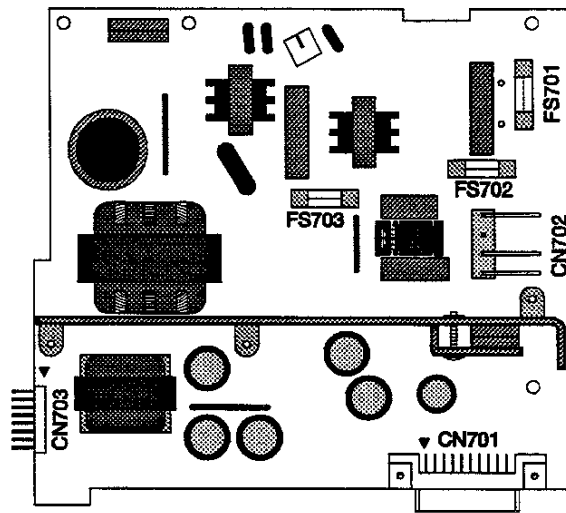
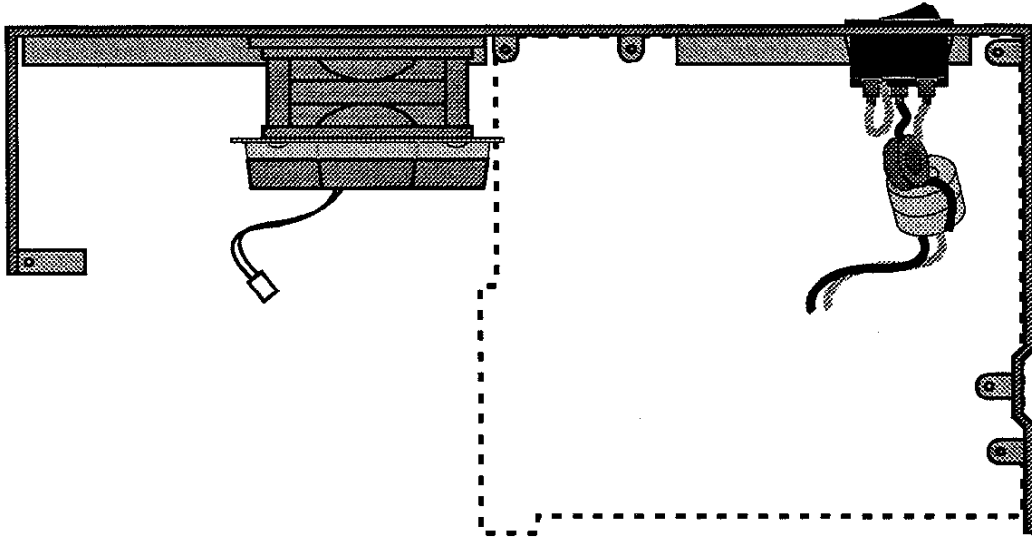


mot\_driv

## 6.2.3 Cassette PWB

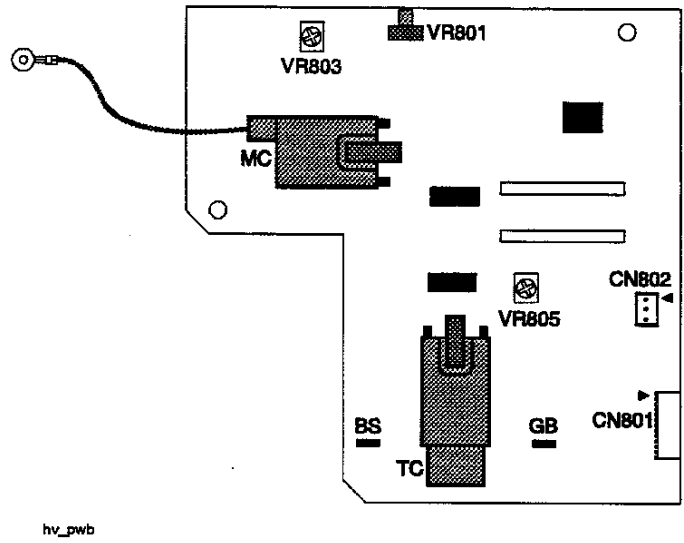


## 6.2.4 Low Voltage Power Supply

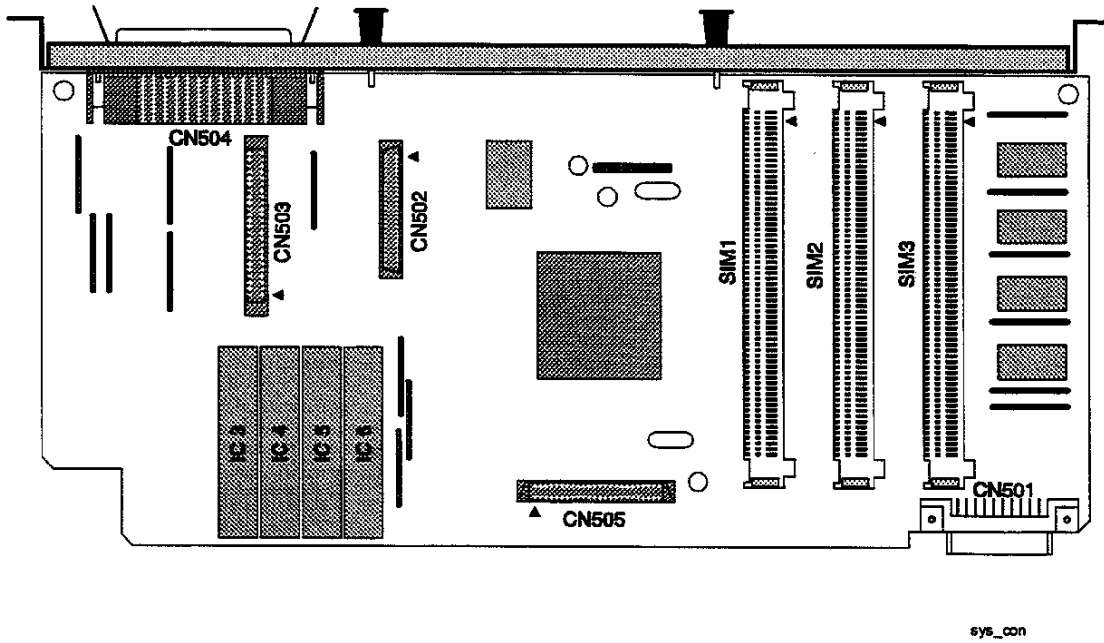


lv\_pwb

## 6.2.5 High Voltage Power Supply



## 6.2.6 System Controller PWB



## 6.3 Printer Paper Path

- 1 Upper and Lower Paper Cassettes.
- 2 Upper and Lower Paper Feed Rollers.
- 3 Registration Sensor and Register Rollers.
- 4 Developer Cartridge.
- 5 Photoconductor / Drum Cartridge.
- 6 Laser Assembly
- 7 Fuser / Pressure Rollers.
- 8 Duplex Drive Motor
- 9 Paper.

Figure 6.3.1 Paper Path.

